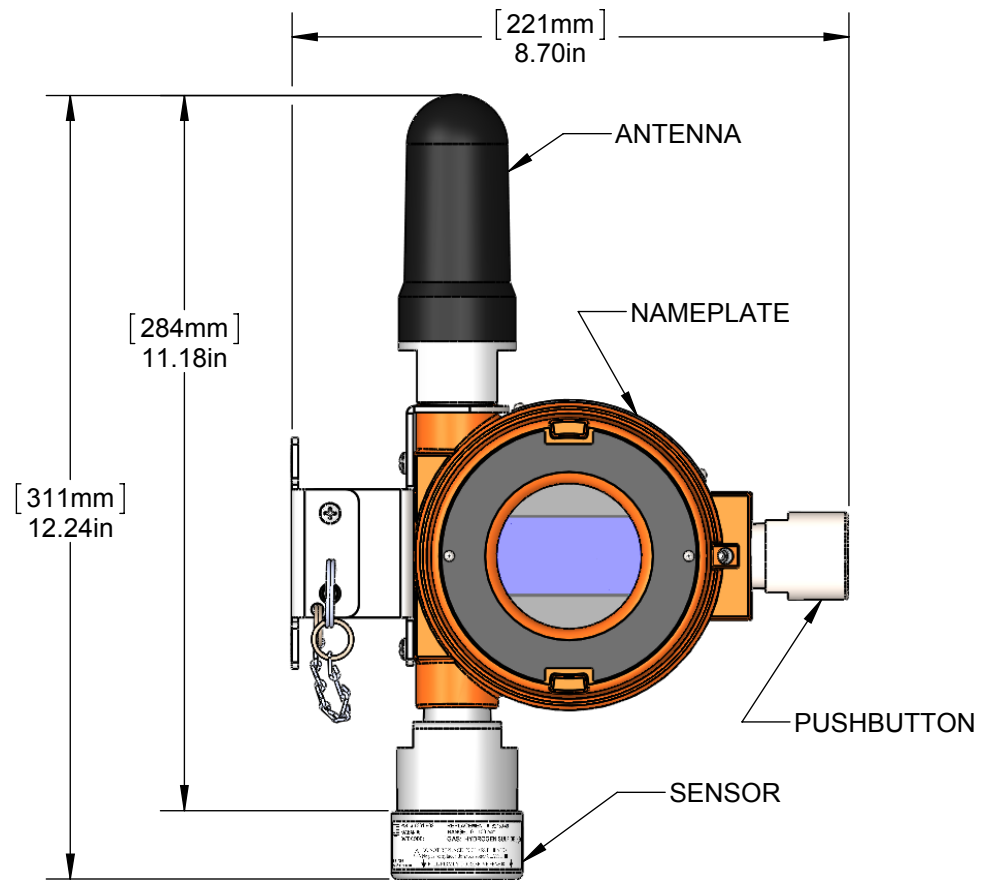
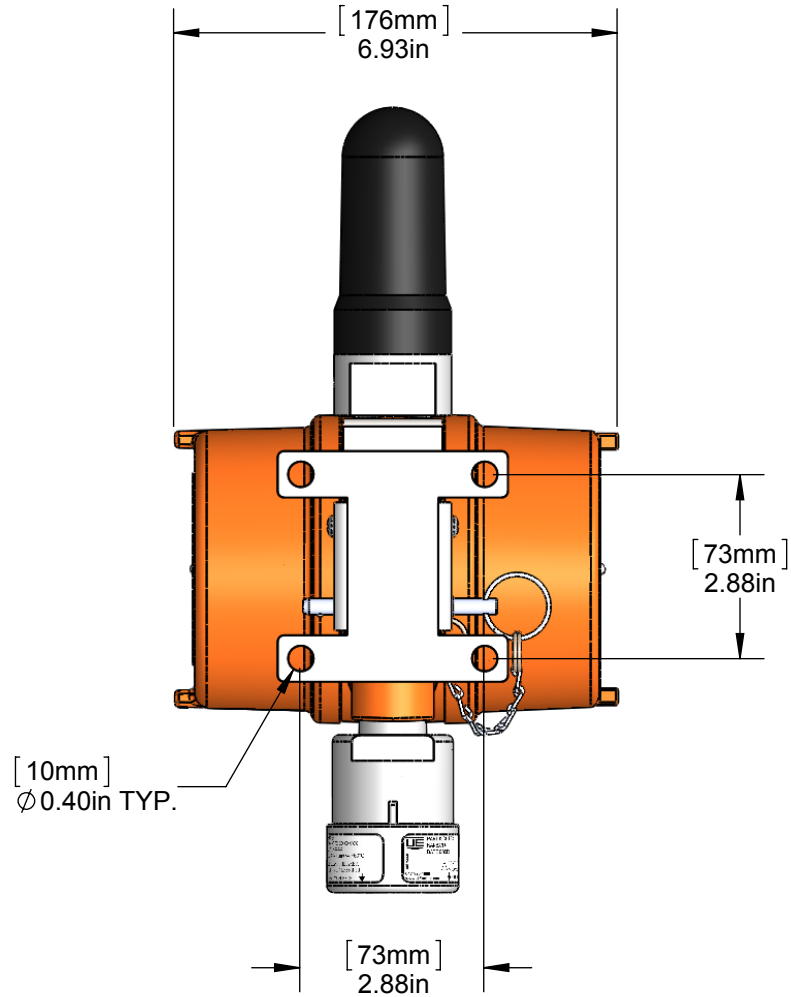


REFER TO WWW.UEONLINE.COM FOR THE LATEST PRODUCT SPECIFICATIONS AND APPROVALS.



ORIGINAL DATE	3/25/16
DRWN	RCI
CHKD	SR
APPD	R. IACABONE

TITLE
**WIRELESS
GAS
DETECTOR**

UE
UNITED ELECTRIC
CONTROLS COMPANY
WATERTOWN * MASSACHUSETTS

UNLESS OTHERWISE SPECIFIED
DIMENSIONS ARE IN INCHES
TOLERANCES ON FRACTIONS ±1/64
2 PLACE DEC 3 PLACE DEC ANGLES
±0.010 ±0.005 ±1/2°

DWG NO Page 1 of 3

A-14026

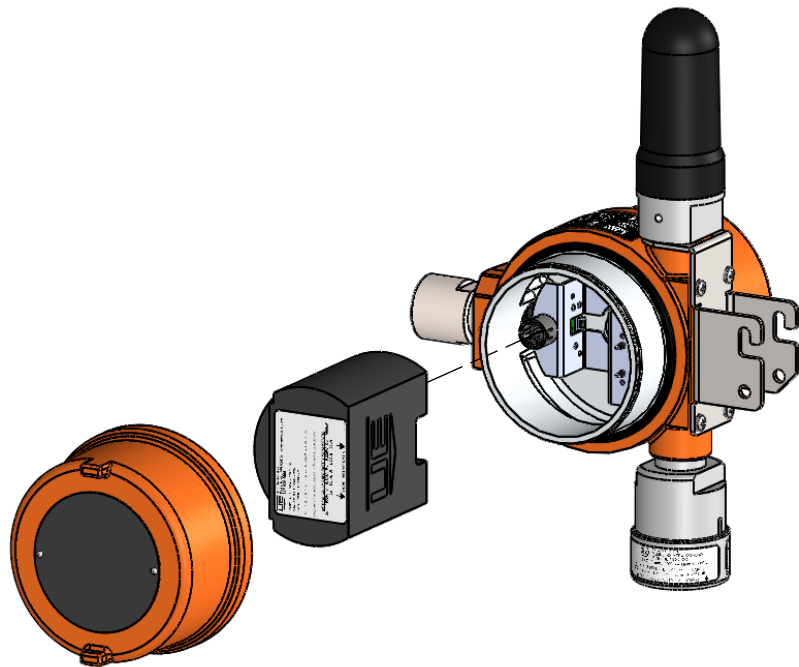
THIS DOCUMENT IS PROPRIETARY
PROPERTY OF UNITED ELECTRIC CONTROLS.
UNAUTHORIZED USE IS STRICTLY PROHIBITED.

REV.	ECN#	DESCRIPTION	DATE	DRWN	APPD
A	E5763	FIRST ISSUE	3/25/16	RCI	RCI

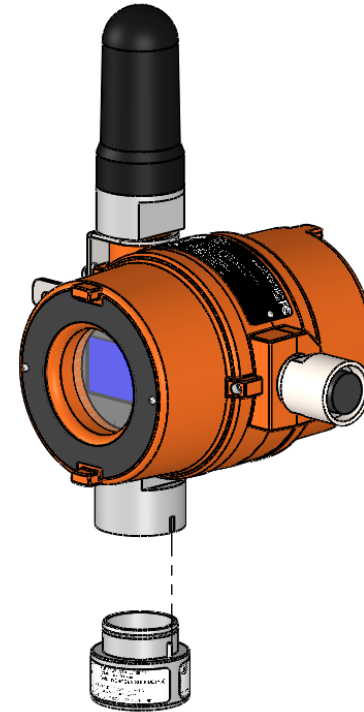
DO NOT SCALE THIS DRAWING

SCALE 1:3

BATTERY INSTALLATION



SENSOR INSTALLATION



ORIGINAL DATE	3/25/16
DRWN	RCI
CHKD	SR
APPD	R. IACABONE
UNLESS OTHERWISE SPECIFIED DIMENSIONS ARE IN INCHES TOLERANCES ON FRACTIONS ±1/64	
2 PLACE DEC	3 PLACE DEC
±0.010	±0.005
ANGLES ±1/2°	
DO NOT SCALE THIS DRAWING	

TITLE
**WIRELESS
GAS
DETECTOR**

UE
UNITED ELECTRIC
CONTROLS COMPANY
WATERTOWN * MASSACHUSETTS

DWG NO Page 2 of 3

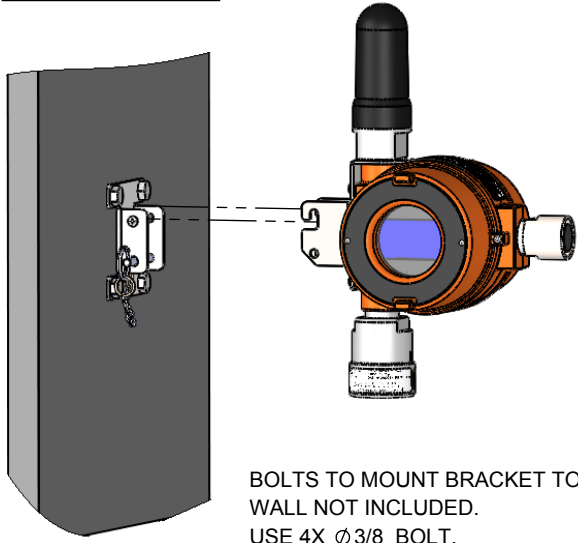
A-14026

SCALE 1:4

THIS DOCUMENT IS PROPRIETARY
PROPERTY OF UNITED ELECTRIC CONTROLS.
UNAUTHORIZED USE IS STRICTLY PROHIBITED.

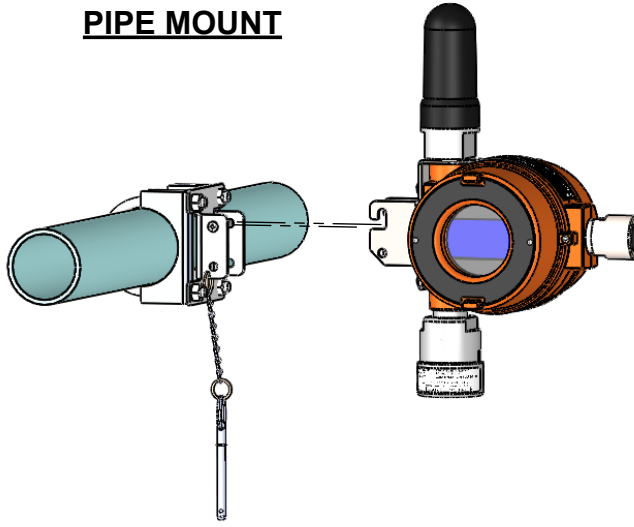
REV.	A	ECN#	E5763	DESCRIPTION	FIRST ISSUE	DATE	3/25/16	DRWN	RCI	APPD	RCI
------	---	------	-------	-------------	-------------	------	---------	------	-----	------	-----

WALL MOUNT

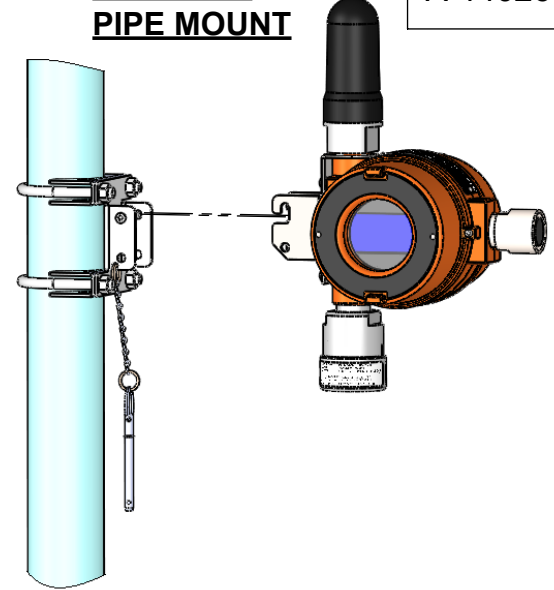


BOLTS TO MOUNT BRACKET TO WALL NOT INCLUDED.
USE 4X Ø3/8 BOLT.

HORIZONTAL PIPE MOUNT

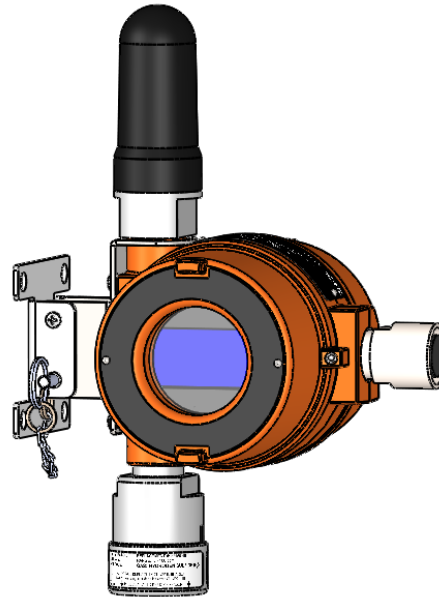


VERTICAL PIPE MOUNT



A-14026

ONCE PRODUCT IS HOOKED ONTO THE MOUNTING BRACKET, INSERT THE QUICK RELEASE PIN TO SECURE.



ORIGINAL DATE	3/25/16
DRWN	RCI
CHKD	SR
APPD	R. IACABONE

TITLE
WIRELESS GAS DETECTOR

UE
UNITED ELECTRIC CONTROLS COMPANY
WATERTOWN * MASSACHUSETTS

THIS DOCUMENT IS PROPRIETARY PROPERTY OF UNITED ELECTRIC CONTROLS. UNAUTHORIZED USE IS STRICTLY PROHIBITED.

REV.	ECN#	DESCRIPTION	DATE	DRWN	APPD
A	E5763	FIRST ISSUE	3/25/16	RCI	RCI

UNLESS OTHERWISE SPECIFIED DIMENSIONS ARE IN INCHES
TOLERANCES ON FRACTIONS ±1/64
2 PLACE DEC ±0.010 3 PLACE DEC ±0.005 ANGLES ±1/2"
DO NOT SCALE THIS DRAWING

SCALE 1:4

DWG NO Page 3 of 3
A-14026